

Shielded wires (2+shield) - shield connected to GND

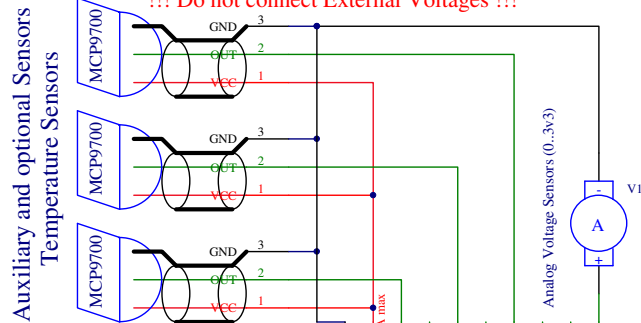
!!! Do not connect External Voltages !!!

eHouse4Ethernet

Electronic, Smart Home

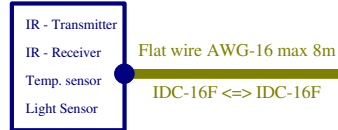
Single eHouse LAN Segment

eHouse LAN Mini Switch-Board - schematic based on "EthernetRoomManager Mini" controller Professional installation and DIY (Do It Yourself) For installation inside controlled room or centrally

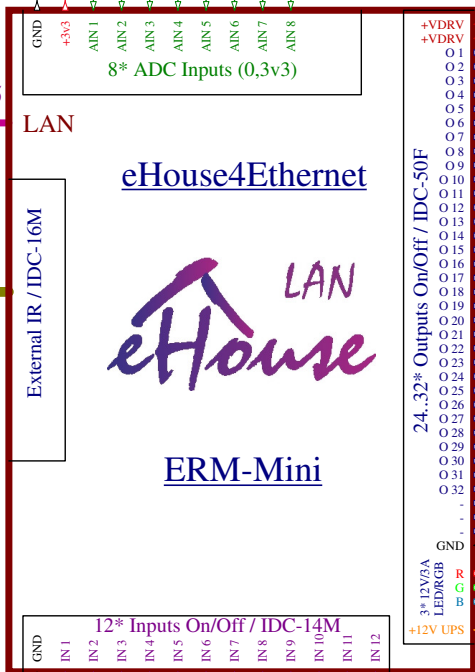


To Ethernet Switch UTP-8 / RJ-45

External IR panel



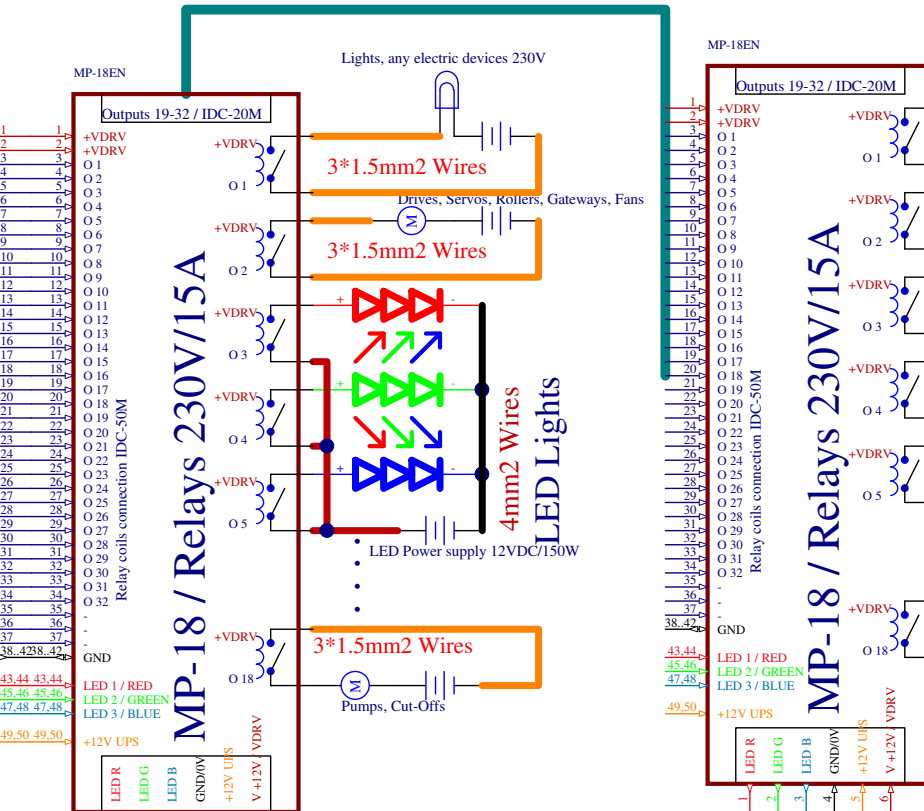
Install in front of Audio/Video system up to 8m from Audio/Video 1m from side wall For best measurement of temperature about 1.2m height IR transmission diodes bend precisely towards Audio/Video systems



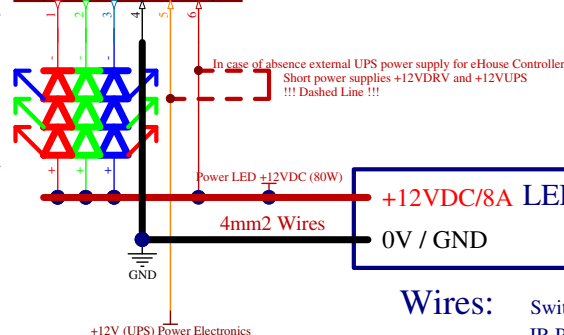
On/Off Sensors
Alarm Sensors
Switches

Smart.eHouse.PRO

Expansion to 32 outputs - Flat Wires AWG-20. Conversion IDC-20F <=> IDC-50F (1:1)



Flat LED or LED RGB strips +12V/2A (max 24W/channel)



Wires:

- Switches: Flat wires AWG28-14 (up to 10m) + IDC-14F sockets
- IR Panel: Flat wires AWG28-16 (up to 8m) + 2*IDC-16F sockets (1:1)
- Expansion up to 32 outputs: Flat wires AWG28-20 + IDC-20F and IDC-50F sockets (1:1)
- Measurement Sensors: 2*0.25mm shielded wires (up to 10m) + DEGSON 10 socket
- LED: High current wires 4mm2
- 230V wires: min. 3*1.5mm2

Ethernet eHouse ver. 2015 @ iSys.PL