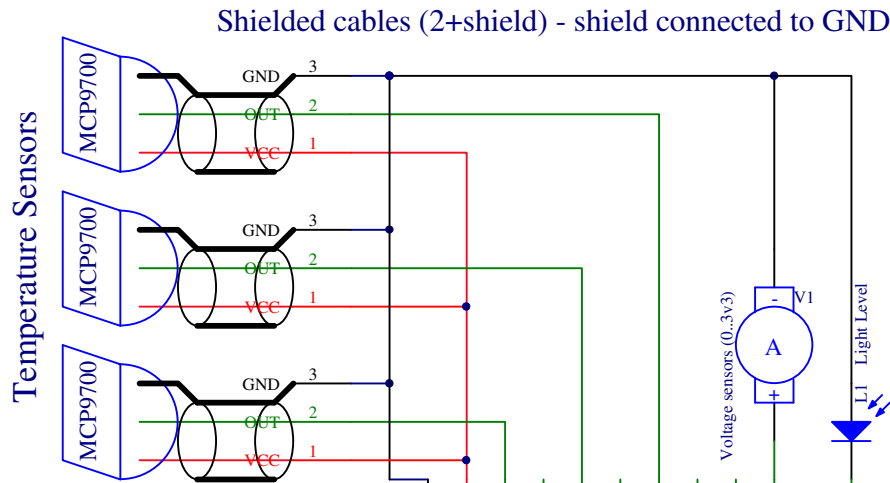


# eHouse4Ethernet

## Elektronik / Smart Home Single EthernetEhouse Segment



Connecting 1 segment to other eHouse segments

To Ethernet/LAN switch

UTP-8 LAN

Power for LED +12VDC (150W)

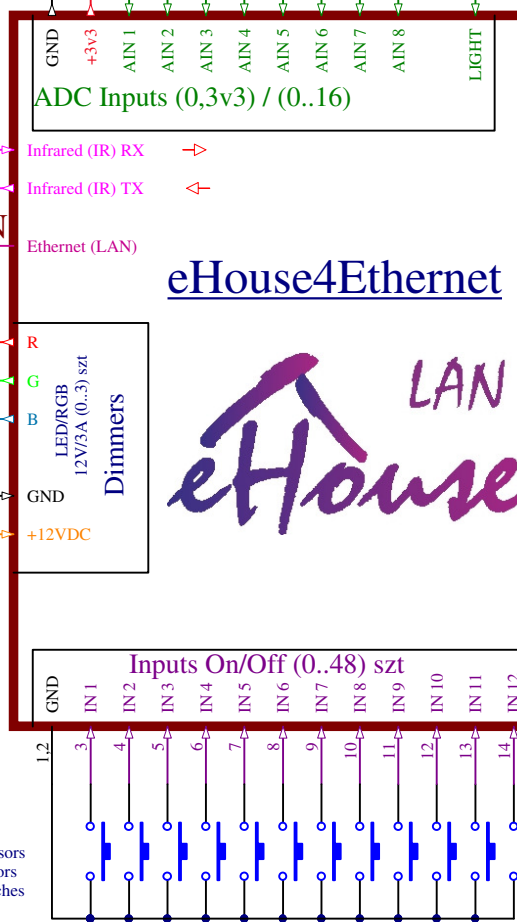
Power supply for ERM +6..12V (UPS)

shorten to IDC-50 - pins: 49,50

LED or LED RGB Stripes  
+12V/3A (max 30W/output)

IDC-14 flat cable

On/Off Sensors  
Alarm sensors  
Monostable switches

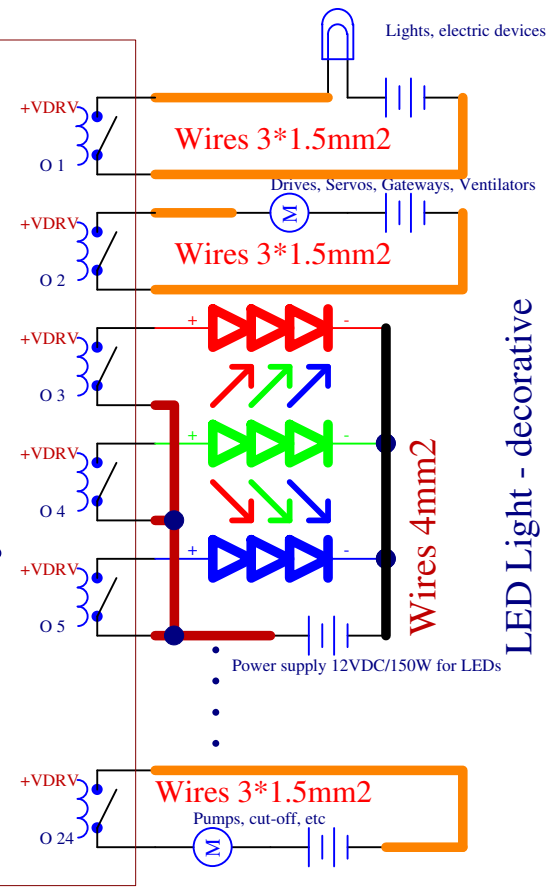


flat cable IDC-50

Relay Power +12V

Ethernet Room Manager 1

Lights, electric devices 230V ON/OFF



Relays 230V/15A

Power supply for ERM +6..12V (UPS)  
Shorten to dimmer socket pin 5